

PLEINE FLEUR



Type: Table Lamp

Materials: Leather

Light Source:

LED (E26 base) — dimmable, included with the lamp

Power Consumption: 5 W

Color Temperature: 2700 K

Weight: 5 lbs

Certification: Available upon request

Warranty: 2 years

Price: \$1,200

Born from the meeting of two complementary practices, this table lamp unfolds through a dialogue between lighting and furniture. It is the result of a collaboration between Studio JETA, whose work explores lighting objects as sculptural forms, and Séjour, whose pieces examine materiality and function through furniture.

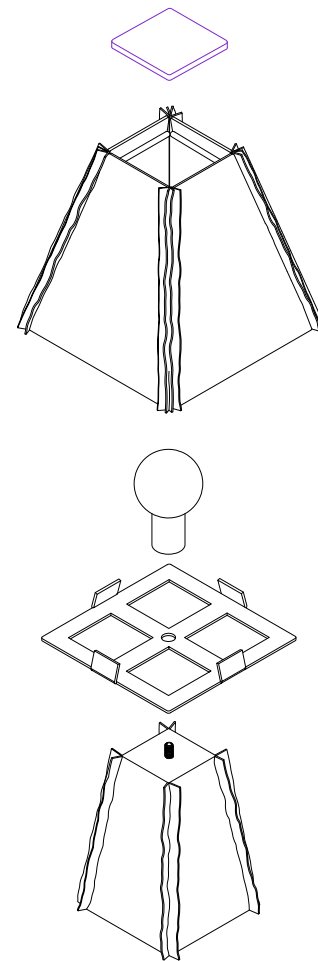
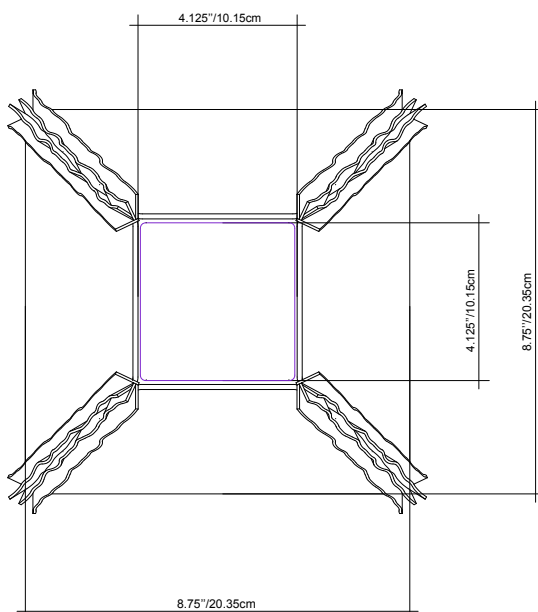
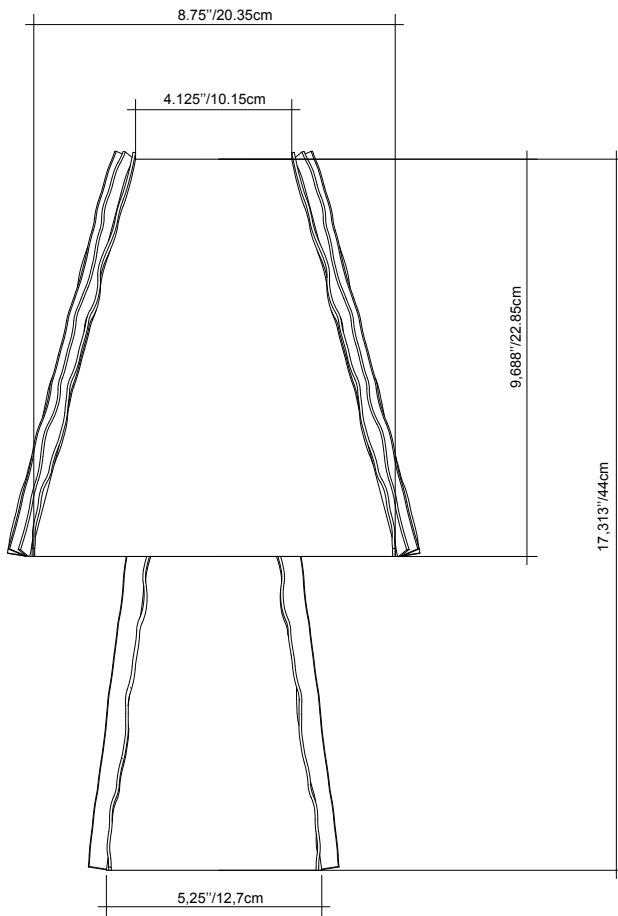
La Pleine Fleur draws from the Répliques collection, developed by Studio JETA: a series of wooden lamps with clear geometries and angles inspired, in part, by brutalism. This initial vocabulary is here shifted and reinterpreted in dialogue with Séjour's FINN collection, where a leather-clad volume, worked in surface and tension, becomes the element that both structures and dresses this new table lamp born of the collaboration between the two Montreal studios.

The leather folds, technically referred to as "seam allowances," are exposed and form the lamp's angles. Usually concealed within the construction, they are here brought forward and topped with a glass plate.

La Pleine Fleur is available in three leather options: yellow, burgundy, and brown. The glass element that caps the upper section is also offered in several variations: frosted clear, textured ochre, and bronze.

Dessins techniques

- Dimensions may vary slightly, as each piece is handmade
- This model is designed to plug into a standard electrical outlet and is equipped with a dimmer switch.



Leather Color



YE
Yellow

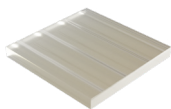


BU
Burgundy



BR
Brown

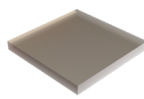
Couleur plaque de verre



TO
Textured Ochre



FC
Frosted Clear



BR
Bronze

Order Code: 04

Model :	Pleine Fleur	Code :	<i>PF</i>
Color :	Yellow	Code :	<i>YE</i>
Glass :	Ocre Textured	Code :	<i>OT</i>

Exemple de code de commande complet : 04-RSP-FB-AC

Notes:

- This model is designed to be plugged into a standard electrical outlet and does not require installation by an electrician.
- This model is not protected against water or other liquids.
- Recommended cleaning: use a feather duster to remove dust.
- Additional fees may apply for custom modifications.